

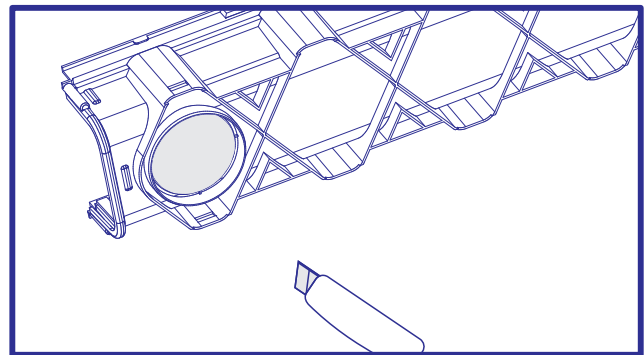
DEK DRAIN A15

Installation Instructions

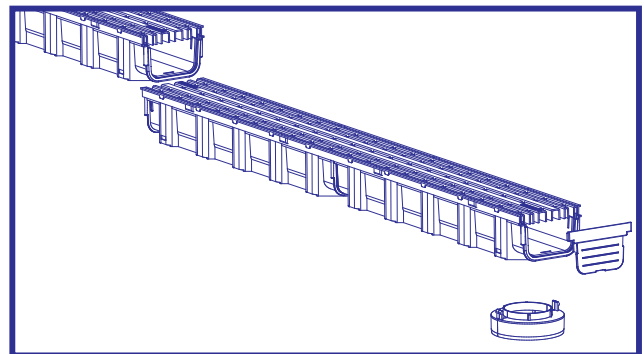
DEK DRAIN A15

Installation instructions:

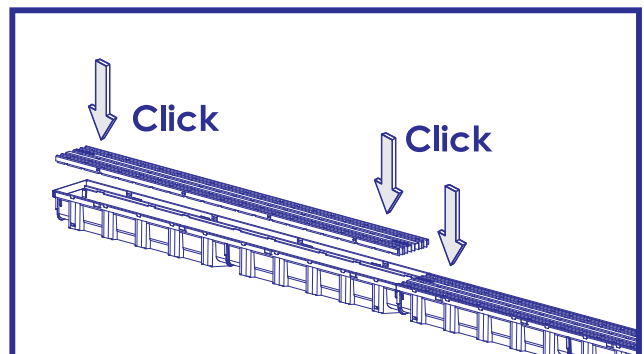
1. Mark lay out of the linear drainage with a line.
2. Dig a trench with depth of 23 cm and width of 32 cm and fill trench with compacted sand as a substructure under a concrete bedding.
3. Make a concrete bedding with a minimum height of 15 cm with C 16/20 concrete. Wait 60 minutes until concrete will reach right consistency.



4. Prepare all components for assembling.



5. Connect drain channels, put end caps and outlet on. Join outlet with sewage pipe. Check the channel alignment. Before the concrete bedding dry's, lay channels with grates on concrete bed and level them. It is recommended that the channel's position should be 2-5 mm below the surface level, this guarantees optimal water collection.



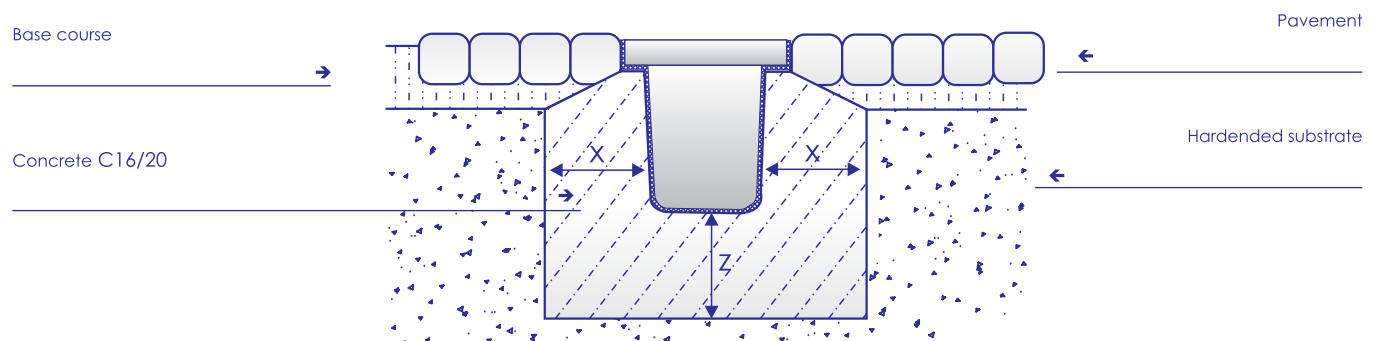
6. After binding the concrete bedding, carefully fill rest of trench with concrete. Pour concrete 10 cm wide from the right and left side of the drainage.

DEK DRAIN A15

Installation instructions:

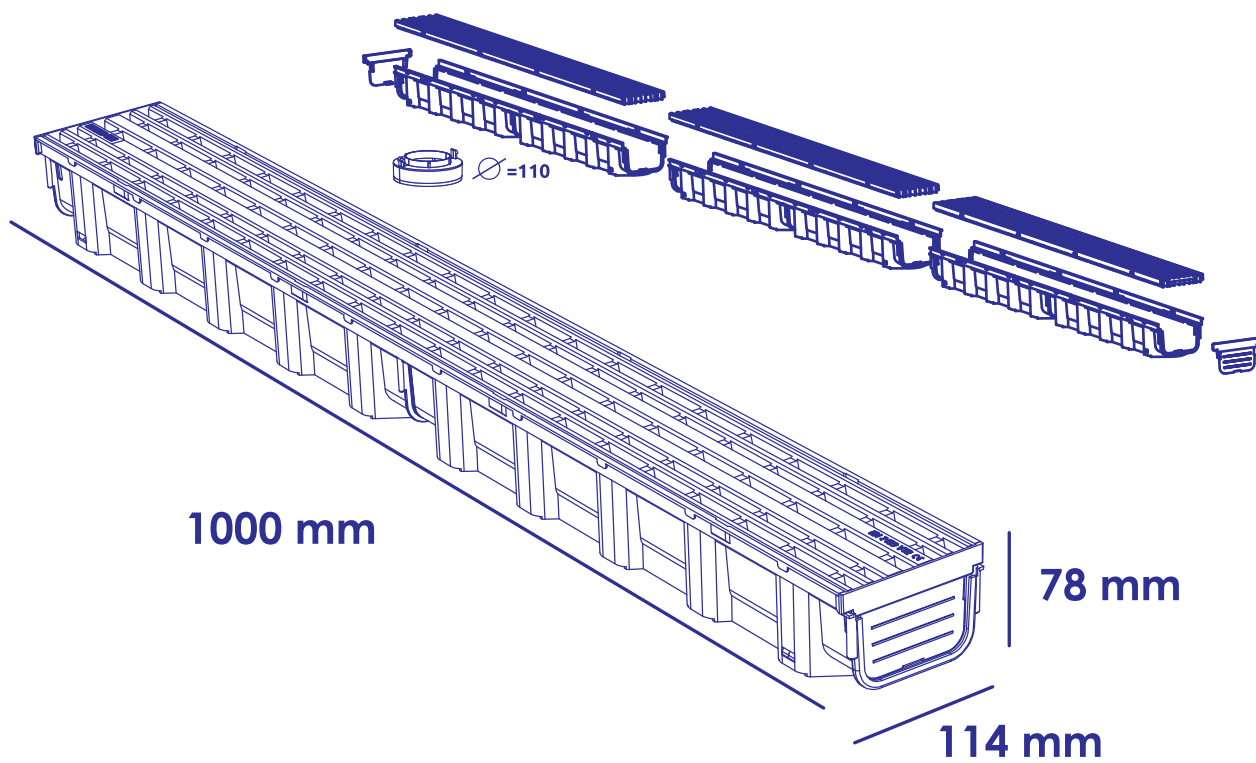
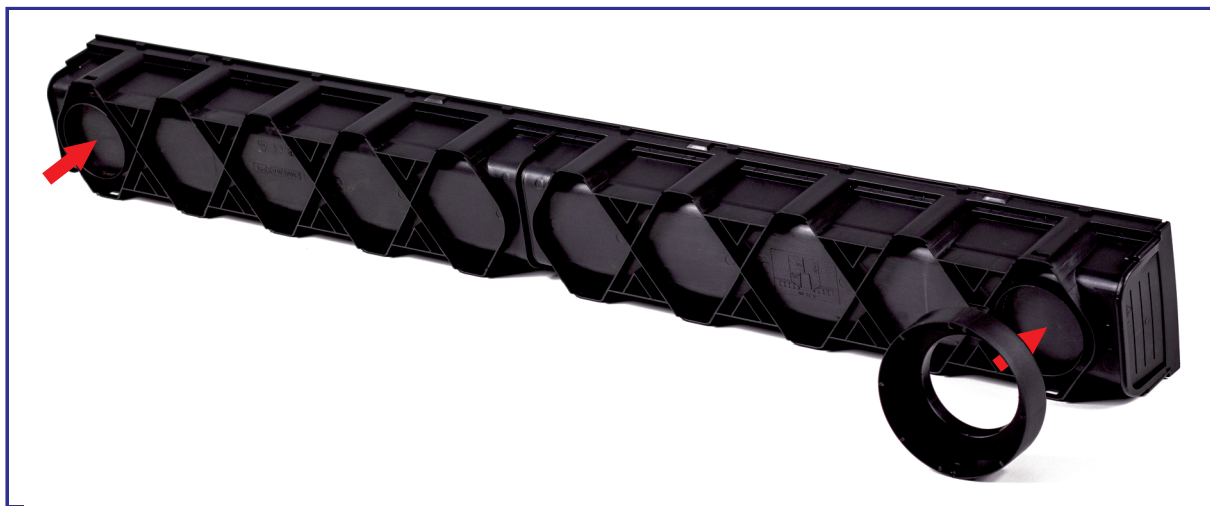
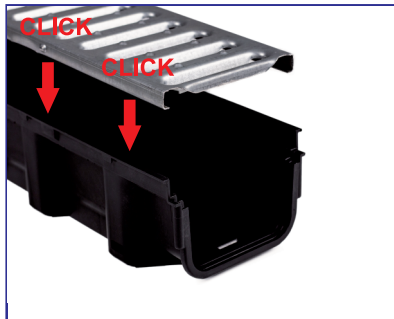
At Load class A15

$x_{min.} = 100 \text{ mm}$
 $z_{min.} = 150 \text{ mm}$

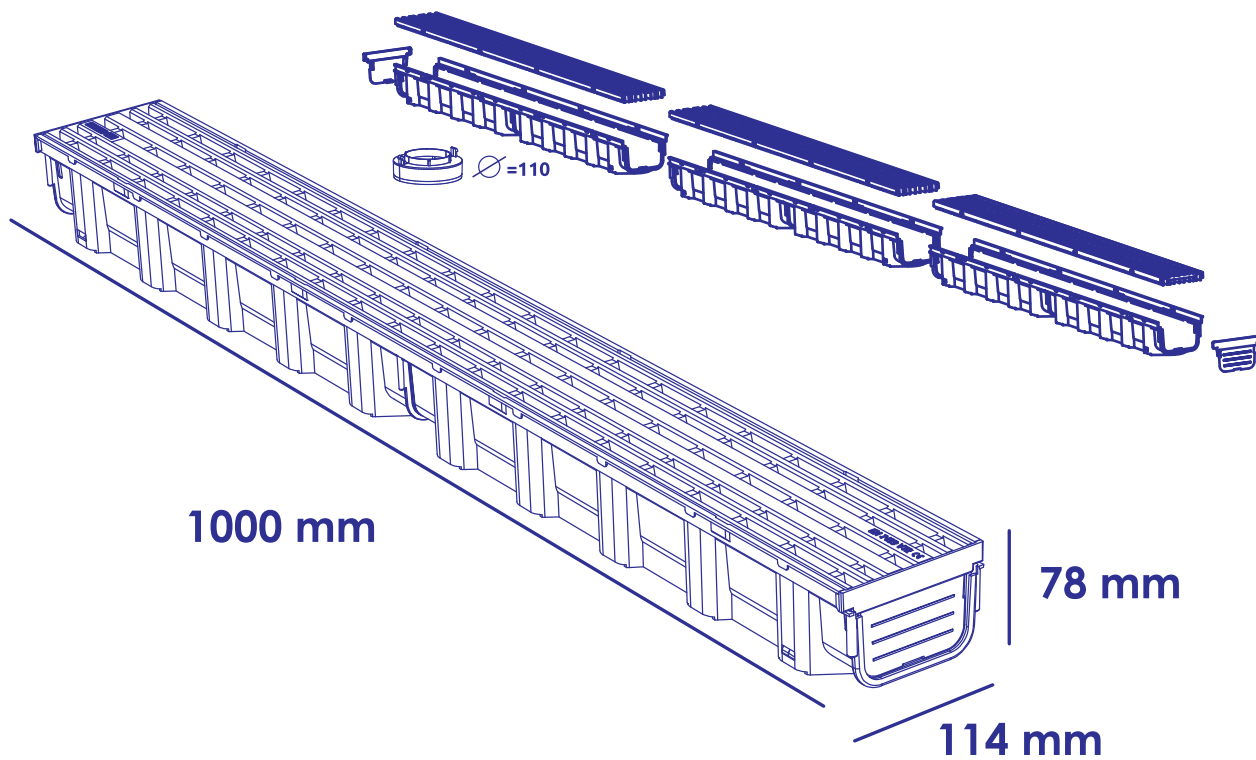
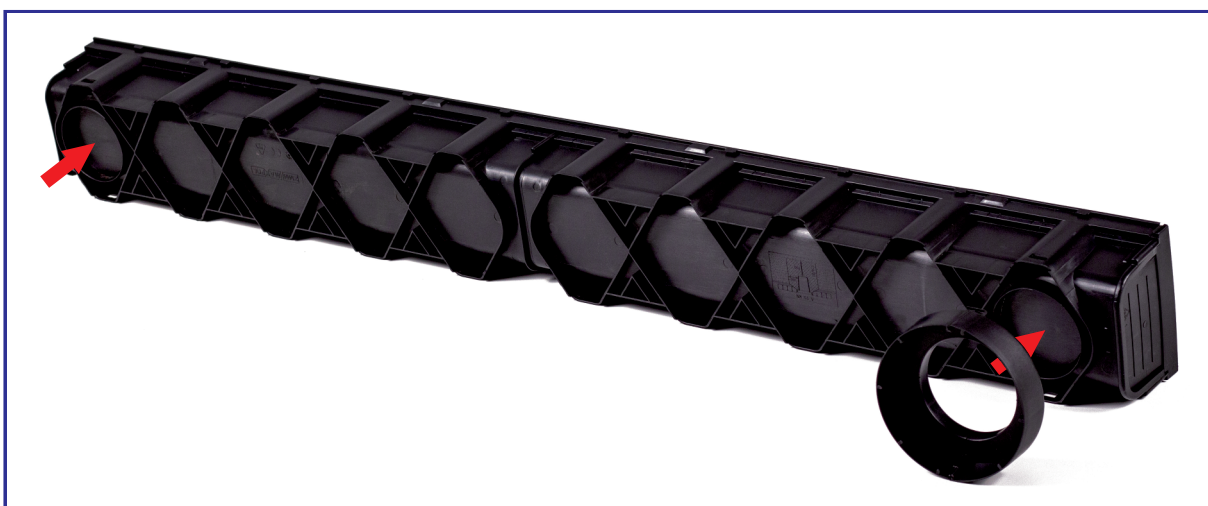


**To seal drain channels connection,
you can use building silicone.**

DEK DRAIN A15



DEK DRAIN A15



DEK DRAIN
A15

