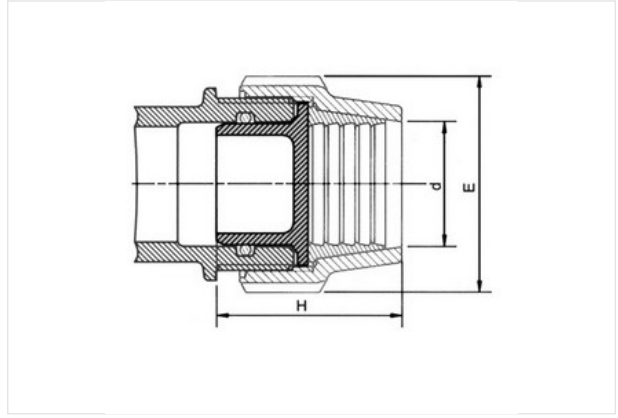


Plug Adaptor

Number of Items: 6



Product Code	d [mm]	H [mm]	E [mm]	Weight [g]
7129C00	20	47	48	5
7129D00	25	51	54	8
7129E00	32	56	64	15
7129F00	40	66	82	24
7129G00	50	80	96	41
7129H00	63	96	113	76